

HSAJET® MiniKey MKHP4

Coding & Marking made simple and fast.
A compact printer with integrated printheads,
ideal for integration in packaging lines.

MiniKey printer based upon HP TIJ 2.5 technology

The HSAJET® MiniKey is based upon reliable HP TIJ 2.5 technology which offers consistent, high quality, fast printing. The printer's user-interface is so easy to use, that it requires very little or no training.

The MiniKey is a very low-cost printer, yet powerful with all necessary functions available.

An 'All-In-One' printer

The MiniKey is an 'out of the box' unit. Place an ink cartridge in the head, connect to power and print instantly by pushing a button.

New layouts are easily made straight from the keyboard or loaded from USB key or via LAN or RS232 connection. The basic unit comes with a ½" printhead with built-in product sensor. The MiniKey can control up to 2" print height.

Trouble free user interface

A 320x240 pixel graphical colour display showing intuitive icons ensures a clear understanding when choosing functions from the keyboard.

Choose from ½"-2" printheight

The HSAJET® MiniKey is available with an integrated 1- or 2-pen printhead mounted on the side of the unit.

Instead – or if additional print height is required – the MiniKey can be delivered with remote printheads of 1 or 2 pens.

Having two printheads enables double-sided printing.



Advanced administrator options in software

A flexible user level management can guarantee that correct data is printed. You are also able to grant user rights as desired and protect by a unique password.

In addition content may be filled by a prompt which optionally must be validated by a different user for guaranteed accuracy.

The controller is preloaded with different menu languages, as well as localized month and day names.

Print at breakthrough speeds of up to 300 m/min (984 ft/min) in 300 x 150 dpi

- GRAPHICS
- COUNTERS
- TEXT (ALPHANUMERICAL)
- DATE & TIME (REAL-TIME & ADJUSTED)
- LINEAR & 2D BARCODES*
- WINDOWS FONTS

* For information on specific barcodes please go to www.hsasystems.com

Technical Details

MINIKEY CONFIGURATIONS



MINIKEY WITH INTEGRATED
2-PEN PRINTHEAD & 2-PEN REMOTE
PRINTHEAD



MINIKEY W. 1-PEN INTEGRATED (RIGHT)



MINIKEY W. 1-PEN INTEGRATED (RIGHT)



1-PEN REMOTE



2-PEN REMOTE (RIGHT)

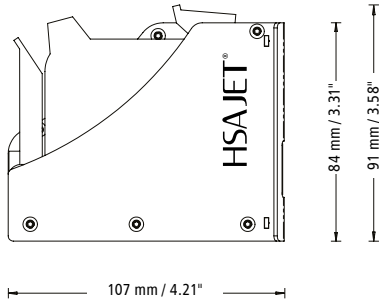


2-PEN REMOTE (LEFT)

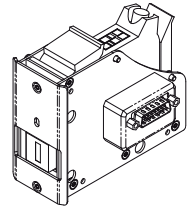
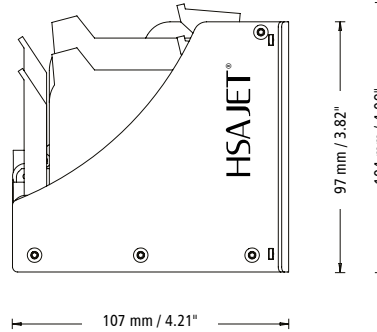
Technical Details

MINIKEY DRAWINGS

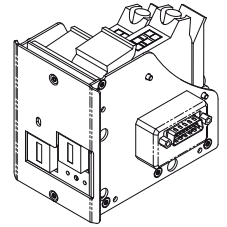
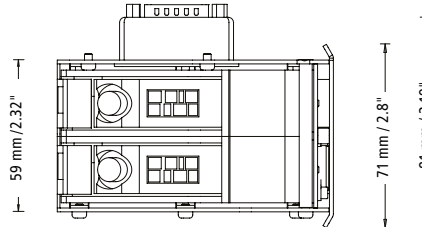
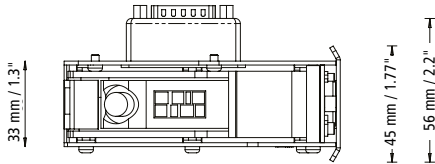
1-PEN REMOTE



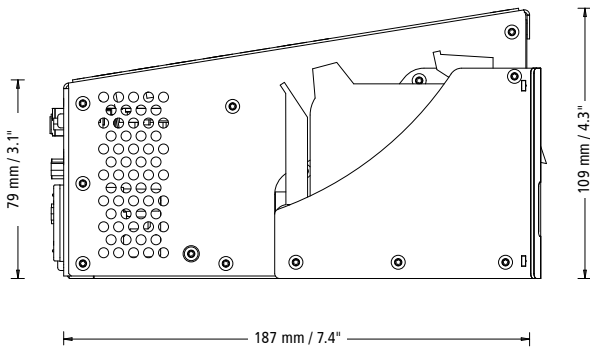
2-PEN REMOTE



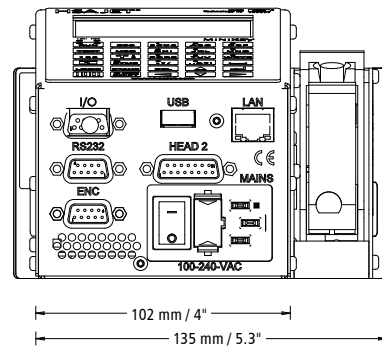
1-PEN REMOTE



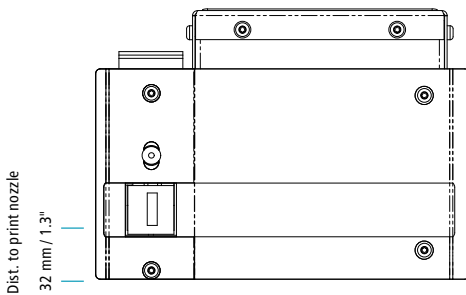
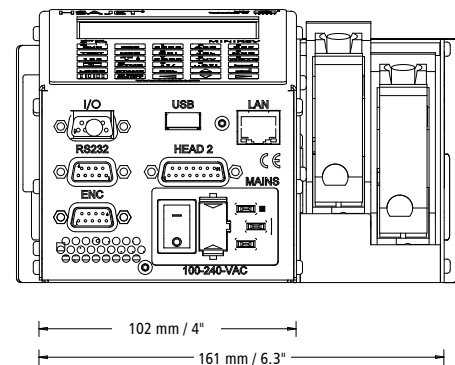
2-PEN REMOTE



COMPACT MK 1-PEN



COMPACT MK 2-PEN



Technical Details

HSAJET® MINIKEY MKHP4

Technology

HP TIJ 2.5

Print height

Up to 50.8 mm / 2"

Printheads

1- or 2-pen printheads

Print distance

0.5-2.0 mm (nozzle to print surface)

Voltage

100-240 VAC

Memory

2 GB internal

Screen

3.5" colour display

Design software

MiniDraw (PC) or on controller

Software menu language

English (multiple languages)

Print functions, e.g.

Prompt
User defined print log

Print options

Variable DPI
Left/Right, Upside-down
Other side
Mirrored

Layout features

Max. length 65000 px
(~277 cm in 600 DPI)
Object rotation in 90 deg interval
Works with mm/inch/point/pixel

Remote controlling

Start/Stop
Exchange job
Change field content per print
Change print preferences/parameters

Interface

RS232 (serial)
Ethernet (LAN)100 Mbit
USB 2.0
Encoder input 3-33 V (SUB D9)
In-/output 3-33 V (SUB D9)

Signals

Low ink signal (diode)
Print signal
Print message signal
Built-in sensor

Complies to

CE directives

Housing

Stainless steel

Weight

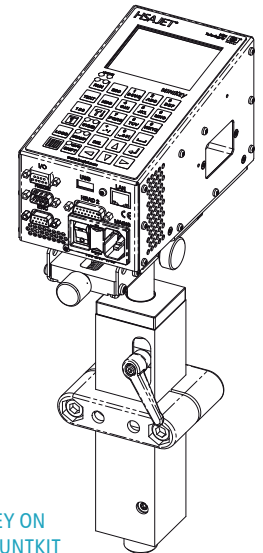
MK controller: 1.30 kg / 2.85 lbs
MK w 1-pen: 1.72 kg / 3.78 lbs
MK w 2-pen: 1.88 kg / 4.13 lbs
MK 1-pen printhead: 0.37 kg / 0.82 lbs
MK 2-pen printhead: 0.49 kg / 1.07 lbs

Accessories

- USB key (included)
- MK-type printheads
- Telescope mountkit
- External sensor
- Encoder
- Mountings (Inocon 53 mm)

Vertical resolution (DPI)	Horizontal resolution 75-2400 DPI (variable) speed examples (m/min)			
	75 DPI	300 DPI	600 DPI	2400 DPI
600 DPI	304	76	38	10
300 DPI high speed	608	152	76	19
300 DPI (row A)	304	76	38	10
300 DPI (row B)	304	76	38	10

Basic Unit	Head 1 Remote	Head 2 Remote
Compact MK 1-pen		1-pen
		2-pen
Compact MK 2-pen		1-pen
		2-pen
MiniKey (without attached printhead)	1-pen	1-pen
	2-pen	2-pen



BASIC MINIKEY ON TELESCOPE MOUNTKIT

NOTE:

The MiniKey only works with MK printheads.
The MK printheads cannot be used with other HSA controllers.

CHECK OUR WEBSITE FOR LATEST REVISION OF THIS DATASHEET

DISTRIBUTOR:



HSA Systems (head offices)

DENMARK | SKOVLENDE +45 4494 0222 | ODENSE +45 6610 3401

HSA Systems (subsidiary offices)

FRANCE +33 1 4815 5050 | GERMANY +49 5257 938 6777

www.hsasystems.com | mail@hsasystems.com